

Quench

980-25/ 985-25

High-Capacity Water and Ice Dispenser

- Room temperature water
- Produces up to 425 lbs of chewable compressed nugget ice in 24 hours
- Stores up to 25 lbs of ice
- State-of-the-art filtration technology
- Sanitary touchless dispensing
- Antimicrobial surface protection

water up





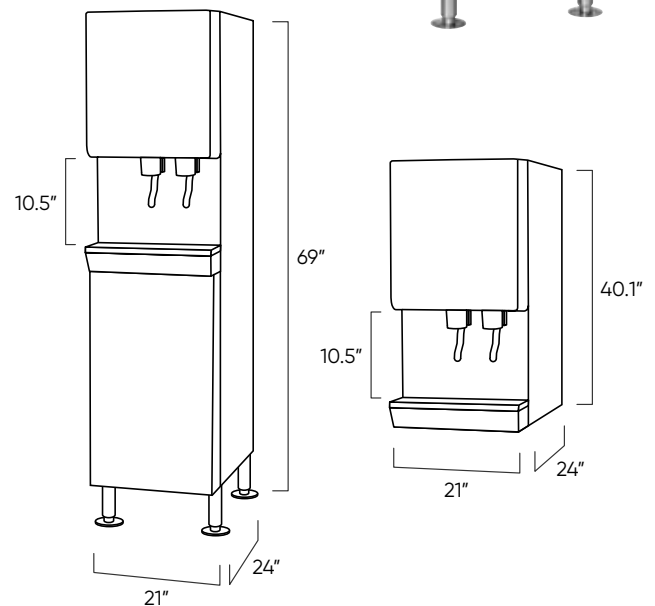
Quench 980-25/985-25

Level up with the Quench 980-25. The Quench 980-25 is a rugged water and ice dispenser that produces up to 425 lbs. of chewable nugget ice in one day while storing up to 25 pounds. With a large touchless dispensing area, the Quench 980-25 is a perfect upgrade for any workplace that requires rapid distribution of ice, like warehouses, distribution centers, and urgent care clinics. Want a countertop machine? We have you covered with the Quench 985-25.



High-Capacity Water and Ice Dispenser

- Chewable Chewblet® ice maker and room temperature water dispenser
- Total ice-making capability – up to 425 pounds per day
- Stores up to 25 lbs of ice
- Advance carbon or reverse osmosis filtration
- Antimicrobial surface protection
- Large dispensing area with lever dispensing
- Available with SensorSAFE infrared touchless dispensing technology



Specifications

Quench 980-25 (Freestanding)

| | |
|----------------------------|---|
| Dimensions | 69" h x 21" w x 24" d |
| Dispensing Area | 10.5" |
| Weight | 298 lbs |
| Ice Output | Up to 425 lbs/24 hr |
| Ice Storage Capacity | 25 lbs |
| Recommended Water Pressure | 10-70 psi |
| Rated Voltage/Frequency | 115v/60Hz @ 13 amps |
| Power Consumption | 5.7 kW/100 lbs of ice |
| Drain Requirement | Needs to be installed within 10 feet of a drain |
| Clearance Needed | 3" top, 3" right side |
| Model Number | 980-25 |

Quench 985-25 (Countertop)

| | |
|----------------------------|---|
| Dimensions | 40.1" h x 21" w x 24" d Height includes optional 4.1" legs |
| Dispensing Area | 10.5" |
| Weight | 188 lbs |
| Ice Output | Up to 425 lbs/24 hr |
| Ice Storage Capacity | 25 lbs |
| Recommended Water Pressure | 10-70 psi |
| Rated Voltage/Frequency | 115v/60Hz @ 13 amps |
| Power Consumption | 5.7 kW/100 lbs of ice |
| Drain Requirement | Needs to be installed within 10 feet of a drain |
| Clearance Needed | 3" top, 3" right side |
| Model Number | 985-25 |

Quench products are certified by independent authorized 3rd party laboratories in accordance of appropriate industry standards. To find out more about which certifications your product may have, please contact us.